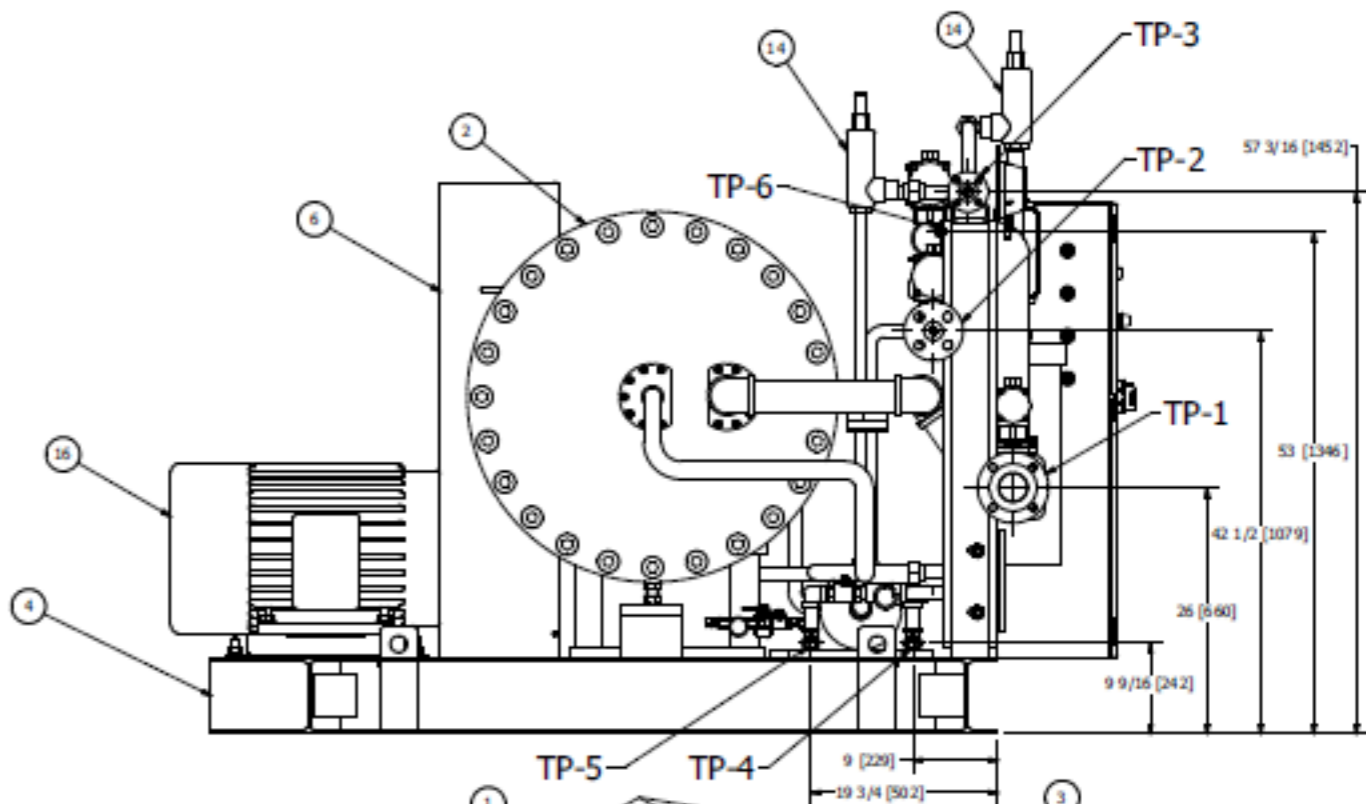
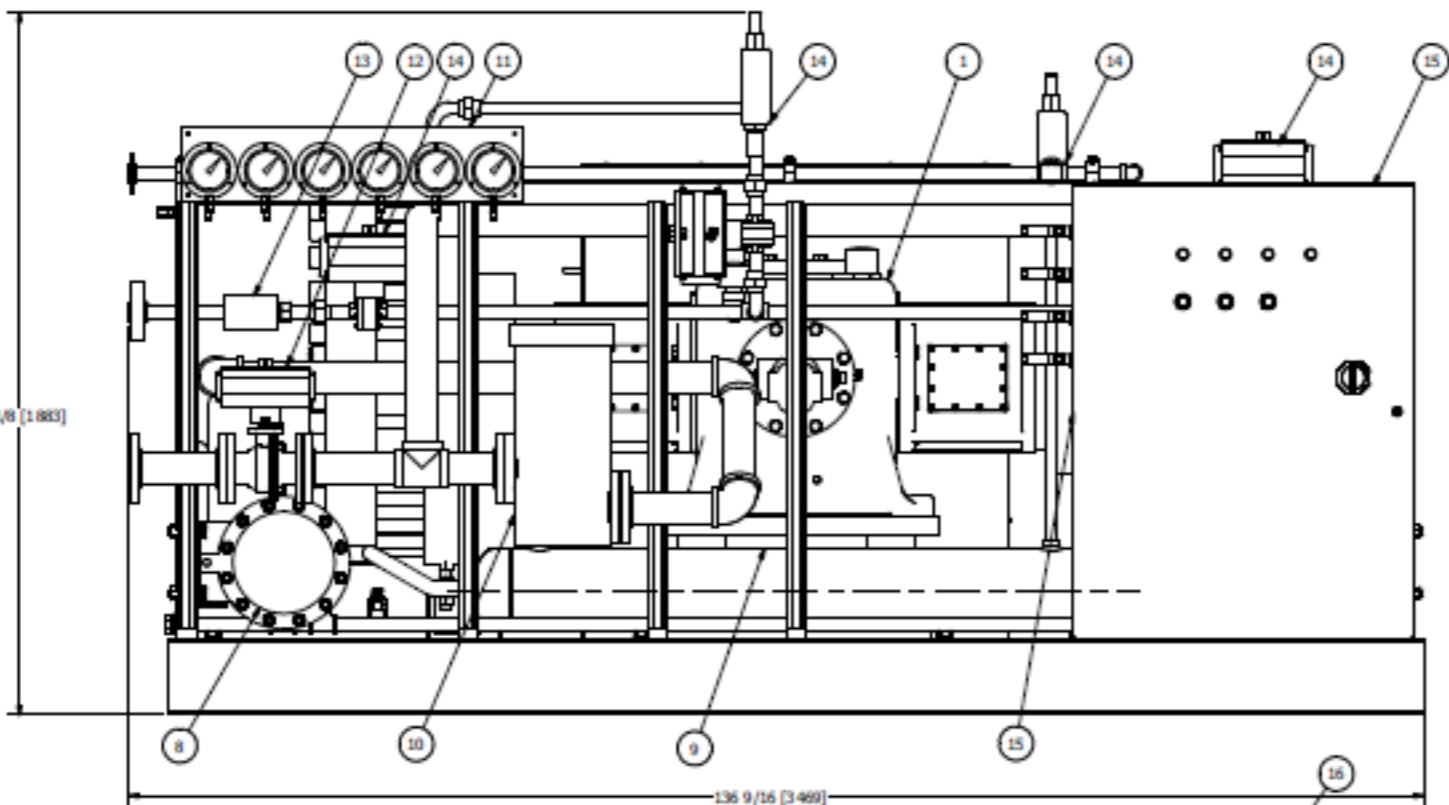
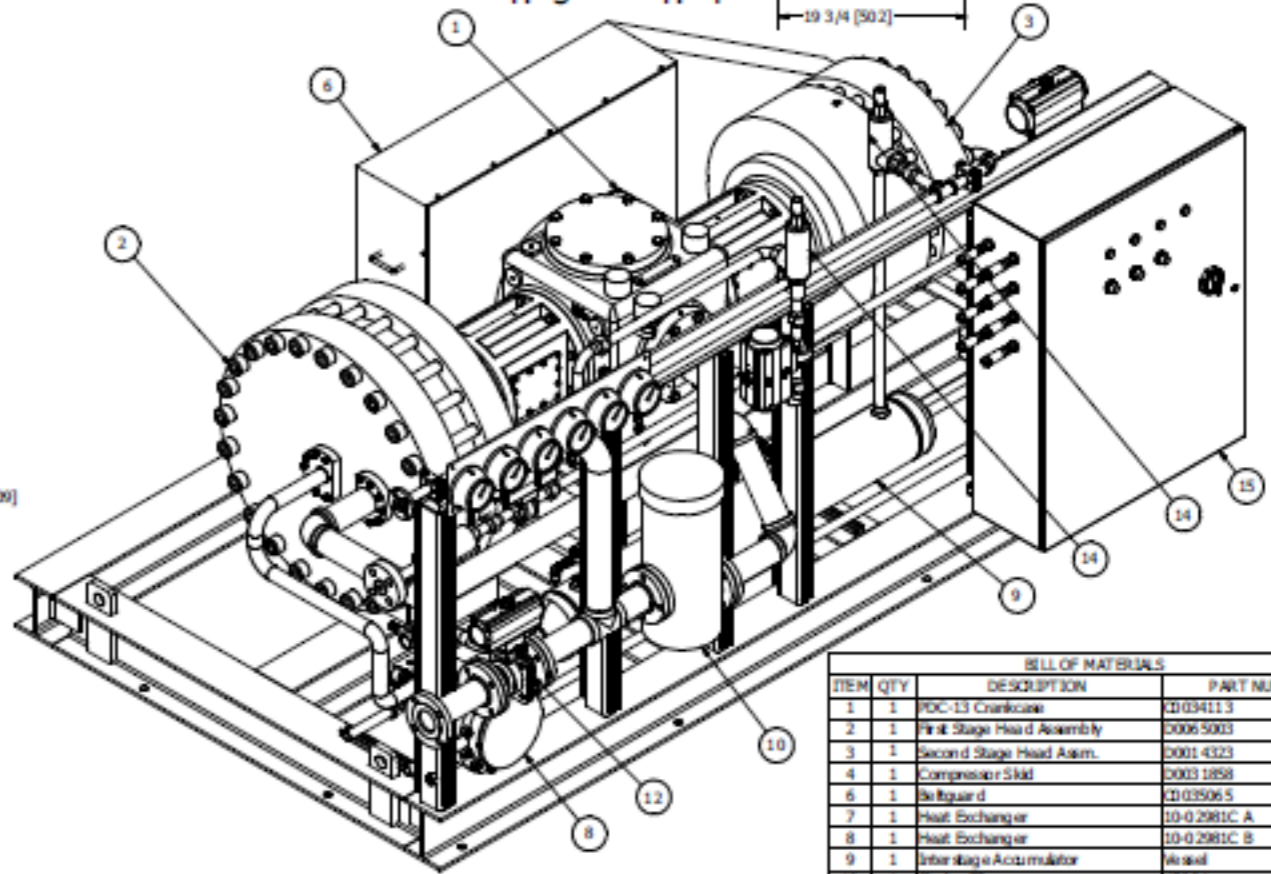
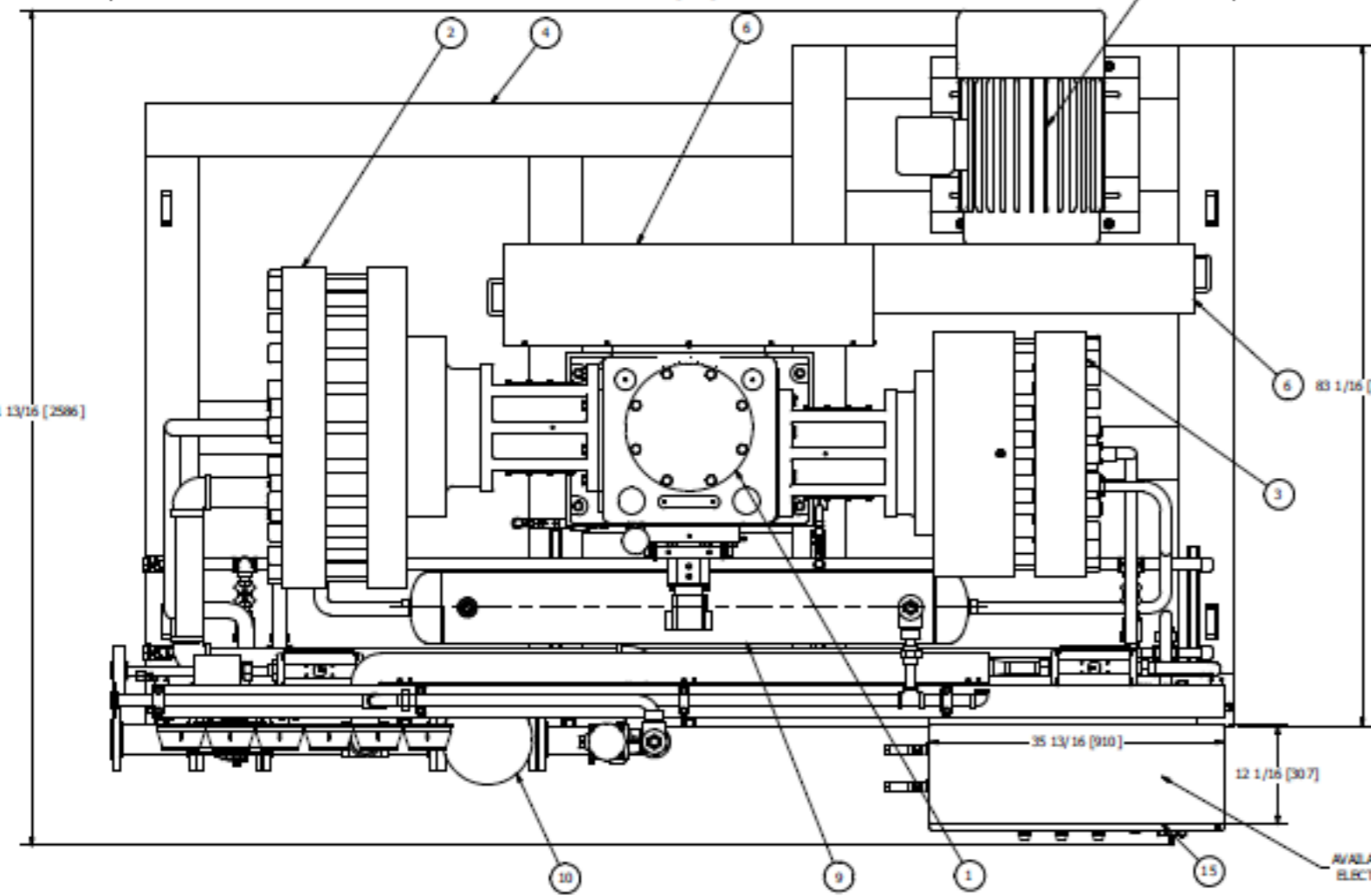


74 1/8 [1883]



101 13/16 [2586]



AVAILABLE AREA FOR ELECTRICAL CONNECTION

BILL OF MATERIALS			
ITEM	QTY	DESCRIPTION	PART NUMBER
1	1	PDC-13 Crankcase	ED034113
2	1	1st Stage Head Assembly	00065003
3	1	Second Stage Head Assm.	00014323
4	1	Compressor Skid	00031858
6	1	Belguard	ED035065
7	1	Heat Exchanger	10-02981C A
8	1	Heat Exchanger	10-02981C B
9	1	Inter Stage Accumulator	Asstd
10	1	Shilco Filter	8POS1
11	1	Gauge Panel	N/A
12	1	SVF HP Gas Valve	3.0 300# SVF Valves
13	1	PDC Check Valve 1500#	80031575
14	2	Pressure Relief Valve	Farris 275A04-F20
15	1	Disconnect Switch Enclosure	BCN2442LAH
16	1	Electric Motor	LEBSON #G150031.60

TIE IN CONNECTIONS		
MARK	SIZE	DESCRIPTION
TP-1	3" 150# RF	INLET CONNECTION
TP-2	3/4" 2500# RF	DISCHARGE CONNECTION
TP-3	1" 150#RF	VENT CONNECTION
TP-4	1" NPTm	COOLING WATER INLET
TP-5	1" NPTm	COOLING WATER RETURN
TP-6	0.5" SWAGelok	INSTRUMENT AIR

Genmak Makina

000330101
REV: 1.10
PAGE 1 OF 1