

## Full-lift safety valves with additional loading



### Technical data

Valve size DN	Seat values		Opening pressure		Certified flow coefficient $K_v [-]$
	d [ mm ]	A [ mm <sup>2</sup> ]	$p_{set}$ [ barg ]		
			minimal	maximal	
65 x 100	40	1257	160	250	0,84
	46	1662	135	250	
80 x 125	50	1963	122	250	
	56	2463	100	250	
100 x 150	63	3117	90	250	
	70	3848	77	250	
125 x 200	77	4657	72	250	
	85	5675	63	250	
150 x 250	93	6793	54	250	
	98	7543	45	250	
175 x 300	110	9503	38	100	
	117	10751	34	100	
200 x 350	125	12272	29	85	
	140	15394	24	85	
250 x 400	155	18869	20	80	
	168	22167	16	70	
300 x 500	180	25447	13	75	
	200	31416	11	75	
350 x 600	220	38013	10	62,5	0,83
	235	43374	9	55	

A - flow seat section in mm<sup>2</sup>  
d - seat inner diameter in mm

## Valve complete specification

		XX	XXXX	XXX	/	XXX	-	XXX	XX	/	X	-	XXX	X	/	X	
1. Valve	Safety valve	PV															
2. Series			1509														
3. Nominal size DN	DN-inlet			065													
	DN-outlet					100											
	d-seat							046									
4. Connection	weld / weld									SS							
	weld / flange									SP							
	flange / flange									PP							
5. Body material	to 400°C										1						
	to 550°C										2						
	to 600°C										3						
6. Opening pressure	barg															175,5	
7. Protected medium	saturated steam																1
	overheated pára																2
	air																3
	other gasses																4

## Face to face lengths, dimensions, weights

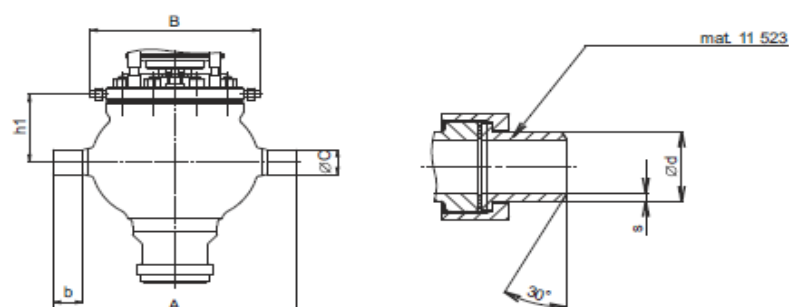
DN	h <sub>2</sub>	h <sub>3</sub>	h <sub>4</sub>	H	D	S <sub>1</sub>	S <sub>2</sub>	Weight
	mm	mm	mm	mm	mm	mm	mm	kg
65x100	760	45	55	890	290	275	240	170
80x125	760	45	55	890	290	290	265	190
100x150	850	45	65	995	395	310	270	380
125x200	940	45	65	1085	395	390	330	480
150x250	1050	45	95	1260	500	390	350	650
175x300	1065	45	95	1275	500	420	390	670
200x350	1080	45	95	1290	500	440	420	780
250x400	1160	45	95	1370	500	515	460	980
300x500	1250	45	125	1460	500	590	530	1560
350x600	1400	45	125	1610	500	660	620	1900

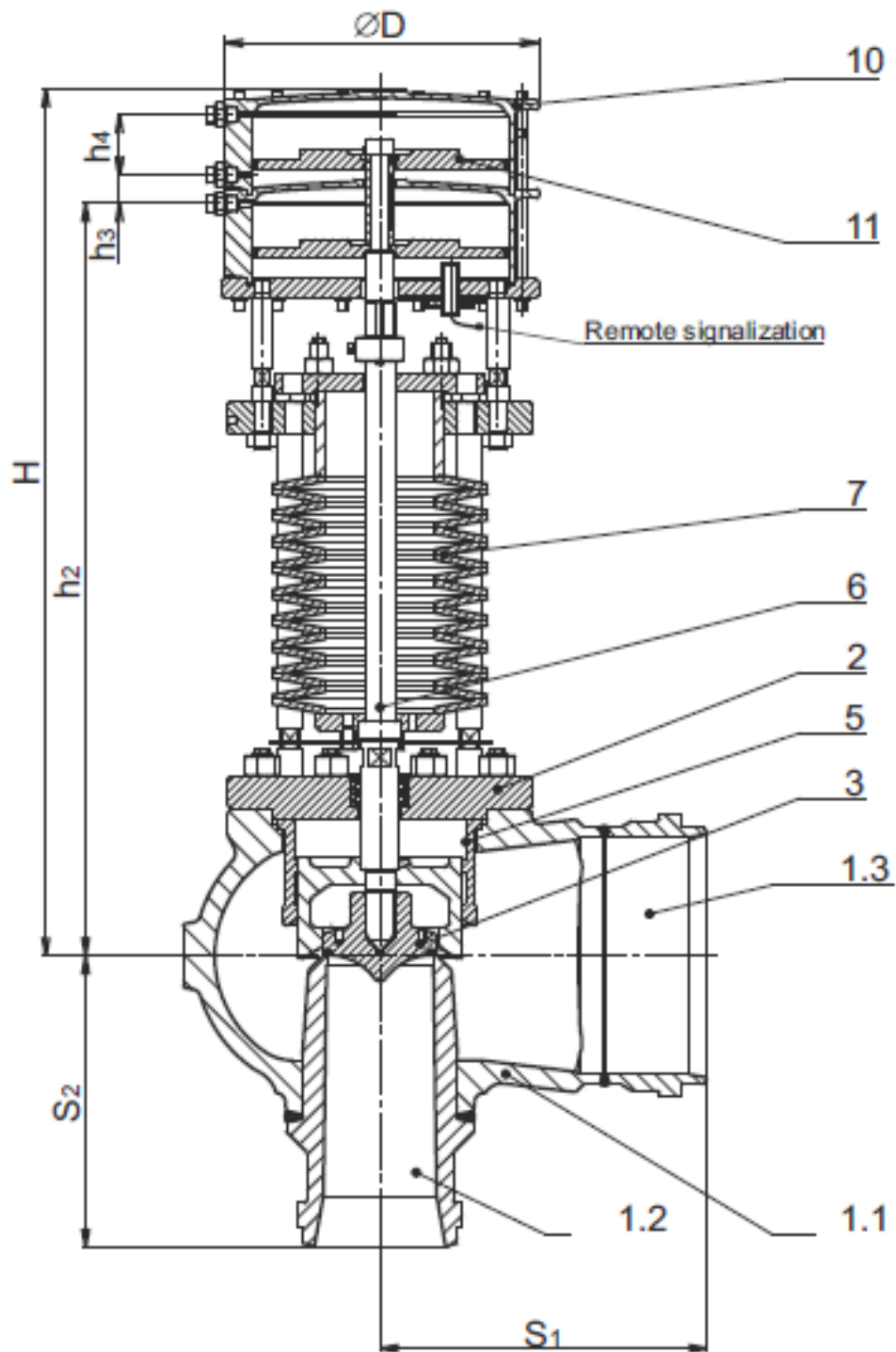
Note: Weight, stated in the table, is valid for the valve with weld connection. Tolerance  $\pm 10\%$  (based on Belleville spring)  
Heights H, h<sub>2</sub> are variable ( $\pm 100$  mm) according to Belleville spring

## Drain-off piping connection dimensions

DN	A	B	∅C	h1	b	∅d	s
65x100	415	354	51	110	90	26,9	3,2
80x125		354	51		90	26,9	3,2
100x150	520	464	63,5	145	90	26,9	3,2
125x200	530	464	63,5	161	90	26,9	3,2
150x250	610	520	63,5	198	90	26,9	3,2
175x300		520	95		100	26,9	3,2
200x350	750	594	95	218	100	26,9	3,2
250x400	850	594	95	258	100	26,9	3,2
300x500	950	680	127	308	130	26,9	3,2
350x600		680	135			26,9	3,2

## Pins for valve fixing and detail of the drainage piping connection





[genmakmakine@hotmail.com](mailto:genmakmakine@hotmail.com)