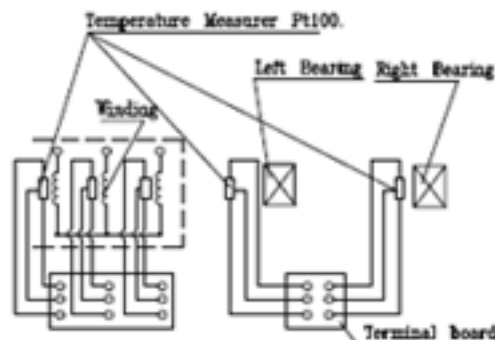
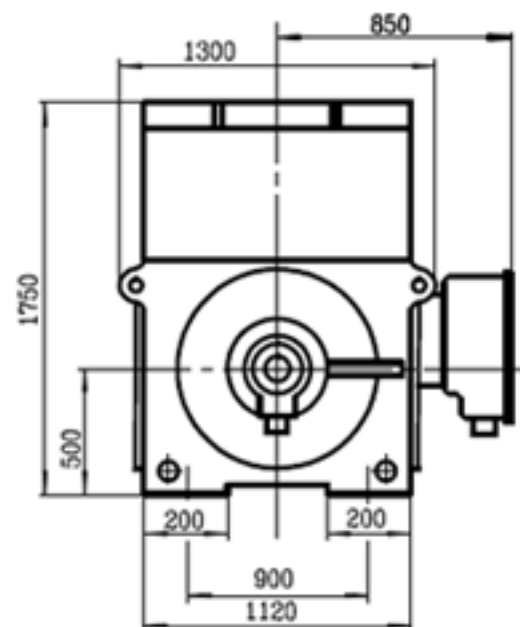
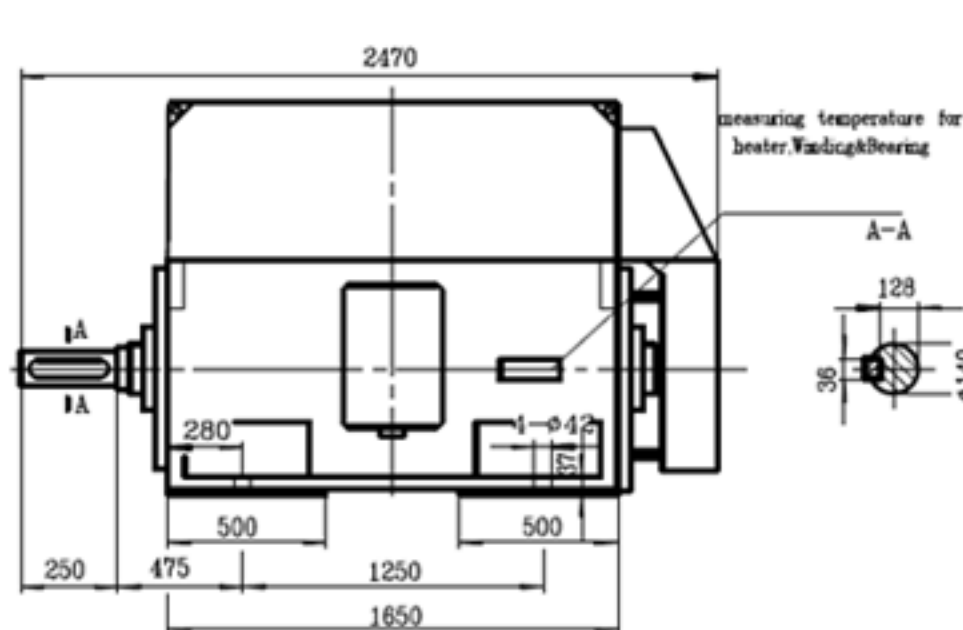


Wiring Scheme for Space Heater



Wiring scheme for Temperature Measurer
(Stand-by winding temperature measurer not draw here)



Note:

1. Viewed from shaft extension, terminal box is on the right. (Also on the left if user needs.) Motor rotates clockwise when the signs with U.V.W has the same order with power phase sequence.
2. Motors are optimized with rolling bearing.
3. Power voltage of Heater: 220V (Optional)
Use Heater after halting and before starting motor.
4. Six Pt100 resistance temperature measurer are pre-installed in winding, two per phase. Resistance is 100Ω when 0°C. Two Pt100 are also in bearing.
Necessary temperature instruments are provided by user.
5. Please confirm Left terminal box, appointed type bearing, Heater and Temperature measurer in contract if user needs.

FRAME	RATED POWER (kW)	RATED VOLTAGE (V)	RATED SPEED (r/min)	RATED CURRENT (A)	EFF. (%)	POWER FACTOR cosφ	LOCKED CURRENT RATED CURRENT	LOCKED TORQUE RATED TORQUE	MAX. TORQUE RATED TORQUE	WEIGHT (kg)
500-8	450	6000	744	57.7	93.8	0.80	5.5	0.8	1.8	

Please enclose this reference drawing with the contract

500-8 450kW 6kV IP54				
Mounting Dimensions Frame	S			
Customer: Genmak TURKEY				