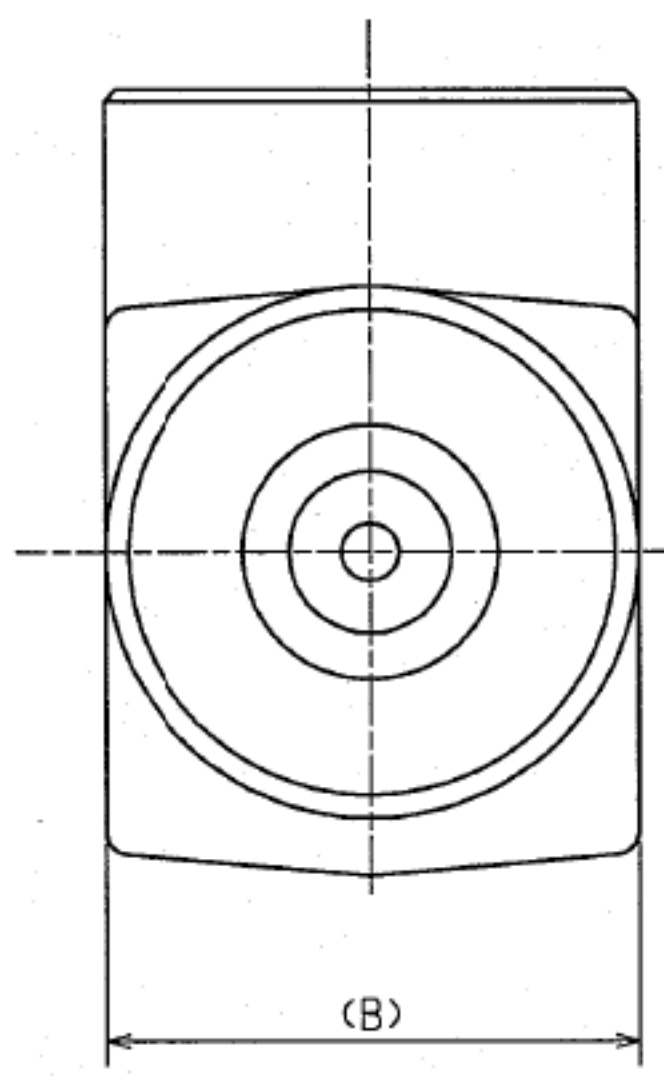
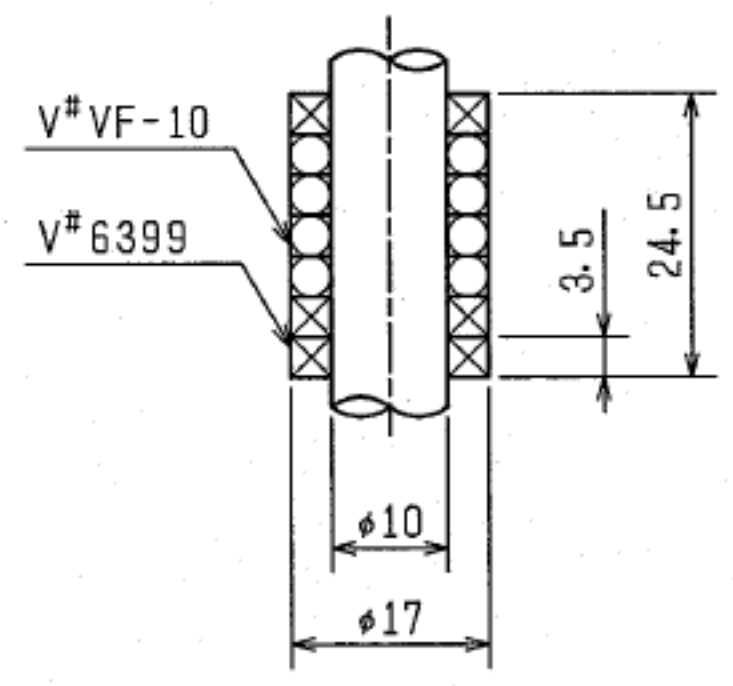


⚠ This type of valve can be used for instrumentation valve only.

DITAIL OF PACKINGS PART



NOMINAL DIA.	D	D1	D2	D3	L	H	C	L1	D4	B	Cv VALUE	MASS (kg)	ITEM No.
1/4 <sup>B</sup>	14.3	42	5	6	100	135	13	5	100	46	0.6	2.8	UH-54500L-13.8
3/8 <sup>B</sup>	17.8	42	5	6	100	135	13	5	100	46	0.6	2.8	UH-54500L-17.3
1/2 <sup>B</sup>	22.2	42	5	6	100	135	13	5	100	46	0.6	2.8	UH-54500L-21.7

REVISION				
REV. NO.	DATE	REVISED DESCRIPTION	REVISED	APPD.
1	10.8.08	Addition		H. Makina

REMARK MATERIAL MARKING ON BODY IS 316.

PART. NO.	NAME OF PARTS	MATERIAL	QTY	REMARK
15				
14				
13	LOCK PLATE	SUS 304	1	
12	HEX. NUT	SUS 304	1	EQUIVALENT
11	SPRING WASHER	SUS 304	1	EQUIVALENT
10	NAME PLATE	A5052P	1	
9	HANDWHEEL	FCD400	1	METALLIC BLUE
8	PACKING GLAND NUT	SUS 304	1	
7	PACKING GLAND BUSH	SUS 304	1	
6	GLAND PACKING	—	1SET	SEE DETAIL OF PACKINGS PART
5	BUSH	SUS 316	1	
4	BONNET	SUS 316	1	
3	GASKET	NNCP	1	Ag PLATING
2	STEM	SUH 660	1	PRECIPITATE HARDENING STELLITE
1	BODY	SUSF316	1	

MATERIAL LIST			
DATE	6.30.00	TEST PRESS. MPa	
SCALE	FREE	ITEM	FLUID HYDRO
APPD.		SHELL	112
CHKD.		SEAT	82.0
DESIGN		BACKSEAT	
		SEAL	

RECIPIENT  
MODEL NO.  
TRADEMARK OR MODEL NAME

NAME STAINLESS STEEL CLASS 4500  
SOCKET WELD TYPE GLOBE VALVES

DRG. NO. REV. MARK 1

Genmak Makina - TURKEY