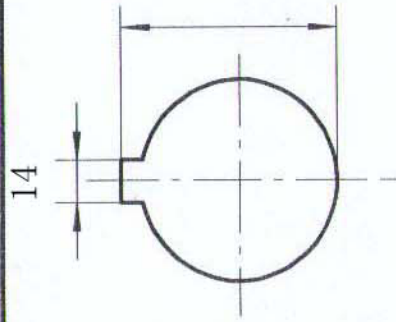
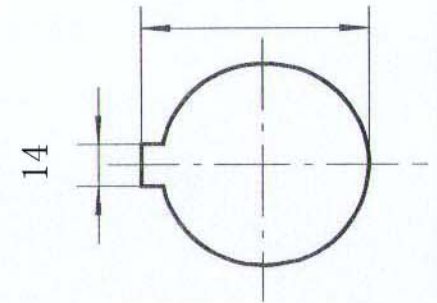


T366

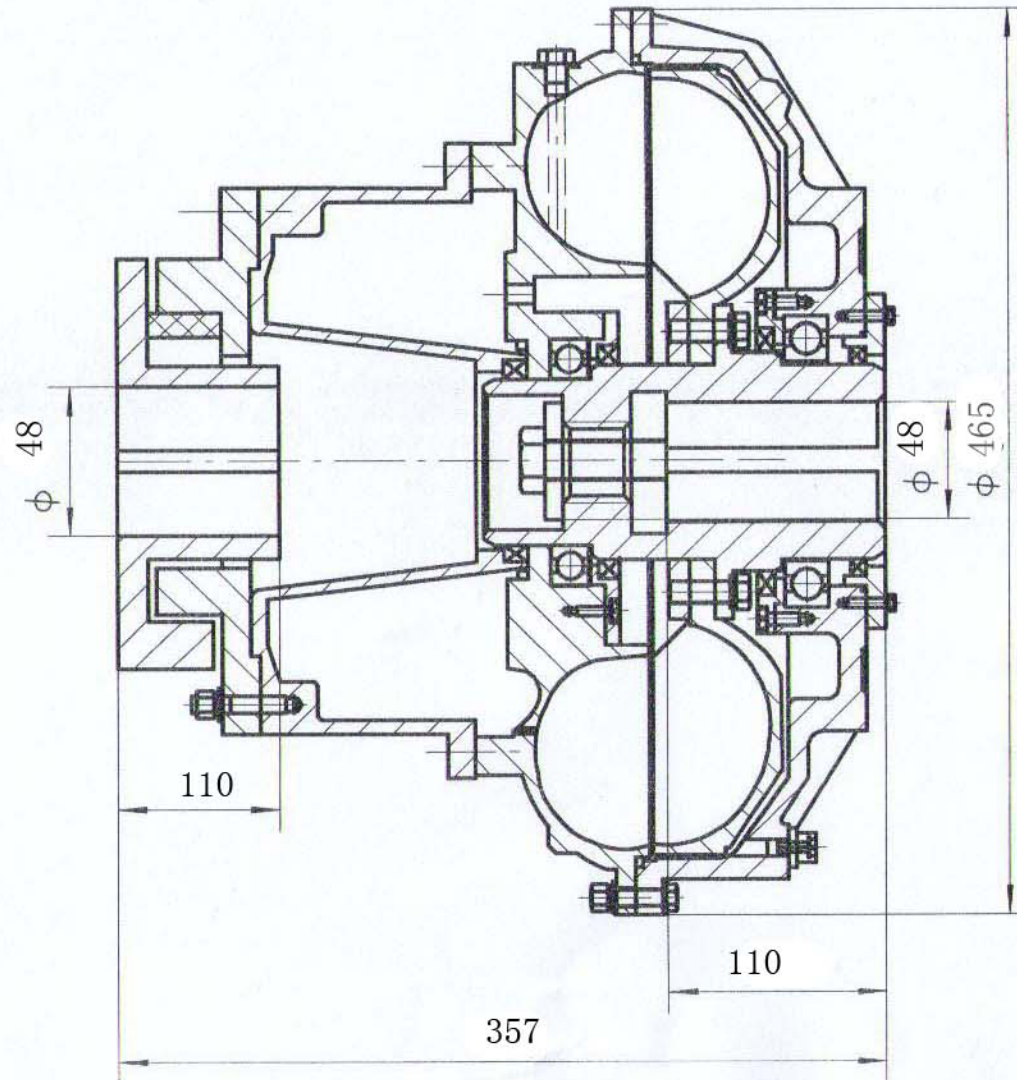
FLUID COUPLING DRAWING



MOTOR SIDE
INPUT



GEAR SIDE
OUTPUT



TYPE T366 FLUID COUPLING

GENMAK MAKINA LTD STI